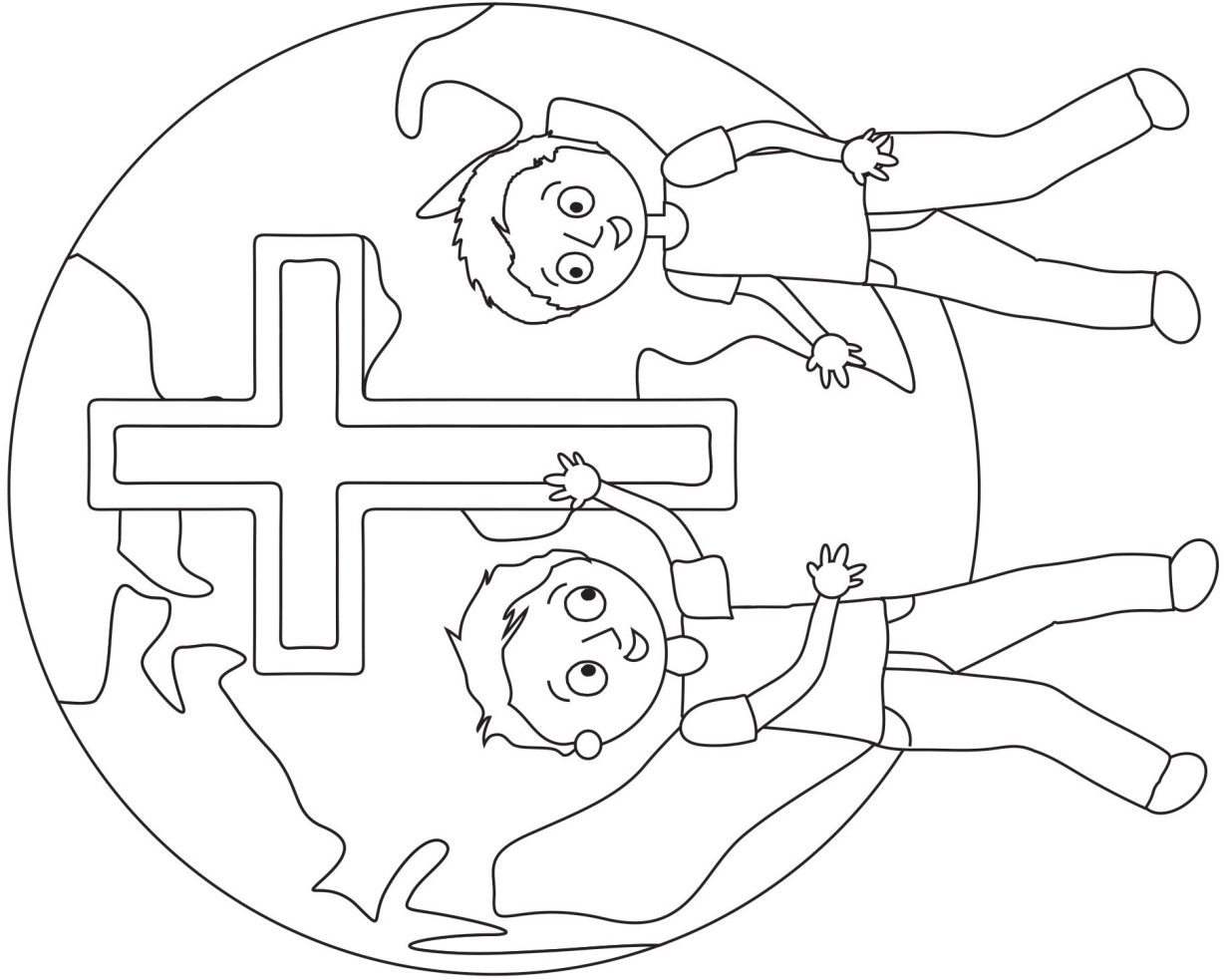


**CAN YOU GUESS Bible Truth 7:  
How Should God's People Live?  
They Should Live Like Jesus...**

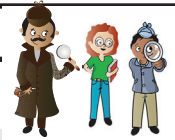
**By Telling the Good News of**

----- !

**HINT: What is the name of God's Son,  
sent to save us? It starts with a "J"  
and it rhymes with "breezes."**



# Deep Down Detective Devotion: Unit 12, Bible Truth 7, Lesson 1



## Big Question 12: How Should God's People Live?

**Answer:** They Should Live Like Jesus... By Telling the Good News of Jesus!

### Bible Truth 7 Meaning

After Jesus died on the cross and rose from the dead, He told His disciples to go tell the good news of salvation to the whole world. Jesus wanted people everywhere know how they could become God's people. He wanted them to know that they could know God in their hearts, now. And after they died, they could go and live with God forever. These wonderful gifts would be theirs when they turned away from their sins and trusted in Jesus as their Savior. What good news this was! Jesus' disciples obeyed Him. They traveled farther and farther away from their homes, sharing the good news of Jesus to all who would listen. Many people rejoiced in this good news. They turned away from their sins and trusted in Jesus as their Savior. God's people were growing in number! Even today, God still wants His people to keep on sharing this good news to all who will listen. He wants them to share this good news with people who live next door, and with people who live in faraway places. God wants His people to keep on telling about Jesus until the whole world has heard the good news. How do God's people carry out this big, wonderful job? With the help of God's Holy Spirit! God promises that His Holy Spirit will be at work inside His people. He will help them know what to say and give them the courage to say it. Best of all, God promises to send His Holy Spirit to work in the hearts of those who listen, helping them trust in Jesus and be saved. We can be God's people, too, when we turn away from our sins and trust in Jesus as our Savior.

### How do I know this is true? The Bible tells me so!

"Everyone who calls on the name of the Lord will be saved." How then will they call on him in whom they have not believed? And how are they to believe in him of whom they have never heard? And how are they to hear without someone preaching? And how are they to preach unless they are sent? As it is written, "How beautiful are the feet of those who preach the good news!" -- Romans 10:13-15, ESV

### Some Questions for You

1. What did Jesus tell others as He traveled around? *How they could become God's people by trusting in Him as their Savior.*
2. What did Jesus tell His special followers to do, after He rose from the dead? *To go to every part of the world to tell others about Him.*
3. What does Jesus want people everywhere to be? *God's people.*
4. What do people need to know, if they are to become God's people? *The good news of Jesus.*
5. Has everyone in all places heard about Jesus? *No.*
6. What should God's people still do, even today? *Keep telling others the good news of Jesus.*
7. Who will help God's people tell others about Jesus? *The Holy Spirit.*
8. How can we become God's people? *By believing the good news! By turning away from our sins and trusting in Jesus as our Savior!*

### Let's Pray!

- A** God, we praise You for being the God who saves. You made the way for sinful people like us to become Your people. How loving and merciful You are!
- C** God, please forgive us for not telling others about You as You want us to. Forgive us for being scared that others might not want to hear about Jesus or make fun of us. Forgive for not trusting You to be at work as we share the good news about salvation through Him. We need a Savior!
- T** Thank You, God, for offering to make us Your people through Jesus. Thank You for giving us the wonderful, good news of salvation through Him.
- S** God, please work in our hearts. Help us turn away from our sins and trust in Jesus as our Savior. Help us to tell others how they can receive the free gift of salvation through Him, too. Work inside others as they hear about Jesus and help them believe in Him, too. In Jesus' name we pray, Amen.

### Let's Sing about What We're Learning!

**Big Q & A 12 Song** from *Deep Down Detectives ESV Songs 12, track 12*  
(sung to the tune of "Twinkle, Twinkle, Little Star")

How should God's people live each day? They should live like Jesus!  
How should God's people live each day? How should God's people live each day?  
How should God's people live each day? They should live like Jesus!

**Big Question 12 Action Rhyme Song** from *Deep Down Detectives ESV Songs 12, track 13*

Refrain:

How should God's people live?  
How should God's people live?  
How should God's people live?  
They should live like Jesus!

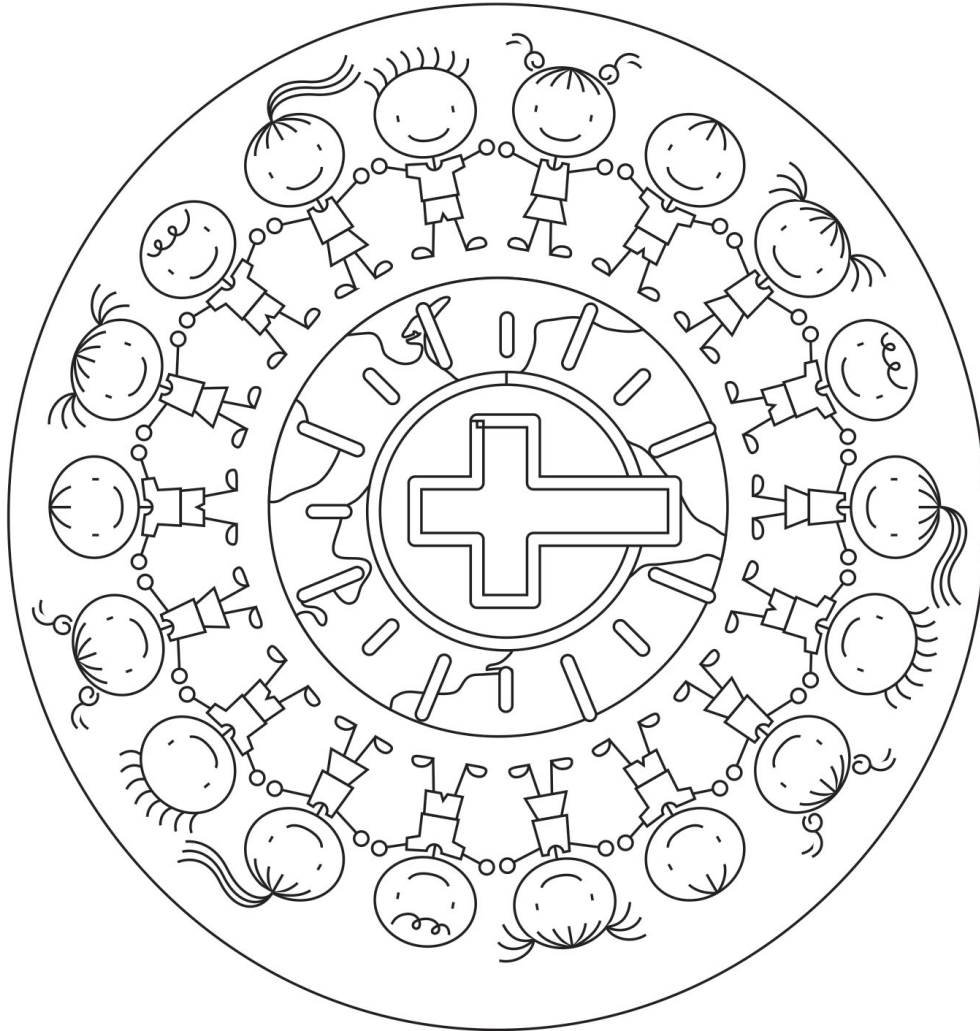
#### Verse 1

Jesus loved God most of all,  
He loved all people, too,  
In all that He did  
and said and thought,  
He loved them thru and thru. *Refrain*

#### Verse 2

God's people should love God most of all,  
They should love others, too,  
And God the Holy Spirit,  
Will help them in all they do.  
*Refrain*

Go to the *Deep Down Detectives Parent Resources for Unit 12* to get the Bible story and many more resources and songs for this unit at [praisefactory.org](http://praisefactory.org)



**“Everyone who calls on the name of the Lord will be saved.” How then will they call on him in whom they have not believed? And how are they to believe in him of whom they have never heard? And how are they to hear without someone preaching? And how are they to preach unless they are sent? As it is written, “I w beautiful are the feet of those who preach the good news!” -- Romans 10:13-15, ESV**

## Deep Down Detective Devotion: Unit 12, Bible Truth 7, Lesson 2



**Big Question 12:** How Should God's People Live?

**Answer:** They Should Live Like Jesus... By Telling the Good News of Jesus!

### How do I know this is true? The Bible tells me so!

"Everyone who calls on the name of the Lord will be saved." How then will they call on him in whom they have not believed? And how are they to believe in him of whom they have never heard? And how are they to hear without someone preaching? And how are they to preach unless they are sent? As it is written, "How beautiful are the feet of those who preach the good news!" -- Romans 10:13-15, ESV

**Learn a Little:** "How beautiful are the feet of those who preach the good news!"

### Meaning

These verses remind us that God sends His people to tell others the good news of salvation through Jesus. They must go, if others are to hear and believe. That is how God has planned to save sinners. What a privilege this is to go and tell others! That is what makes their feet beautiful. Not that they have pretty feet (or cute toes), but that by using their feet to go tell others about Jesus, those others can know God and be saved from their sins.

### Some Questions for You

1. What does it mean to "call on the name of the Lord?" *It means to turn away from your sins and trust in Jesus as your Savior.*
2. Who does God send to tell people the good news of Jesus, so they can be saved? *God sends His people to tell them.*
3. What is preaching? *Reading God's Word and explaining it to others.*
4. Why does the Bible call the feet of God's people beautiful when they go and tell others the good news of Jesus? *Not because their toes are very pretty, but because people are so happy to hear the good news of Jesus and become God's people.*
5. How can Jesus be our Savior? *We can turn away from our sins and trust in Him as their Savior. God loves to help us do this! Ask Him!*

### Let's Pray!

- A** God, we praise You for being the God who saves. You made the way for sinful people like us to become Your people. How loving and merciful You are!
- C** God, please forgive us for not telling others about You as You want us to. Forgive us for being scared that others might not want to hear about Jesus or make fun of us. Forgive for not trusting You to be at work as we share the good news about salvation through Him. We need a Savior!
- T** Thank You, God, for offering to make us Your people through Jesus. Thank You for giving us the wonderful, good news of salvation through Him.
- S** God, please work in our hearts. Help us turn away from our sins and trust in Jesus as our Savior. Help us to tell others how they can receive the free gift of salvation through Him, too. Work inside others as they hear about Jesus and help them believe in Him, too. In Jesus' name we pray, Amen.

### Let's Sing Our Bible Verse!

**How Beautiful: Romans 10:13-15** from *Deep Down Detectives* ESV Songs 12, track 41

Refrain

How beautiful! How beautiful!

How beautiful are the feet.

How beautiful! How beautiful!

Are the feet of those who preach the good news.

Ev'ryone who calls on the name of the Lord,  
Will be saved.

Ev'ryone who calls on the name of the Lord,  
Will be saved.

*Yes, but I have some questions....*

How then will they call on Him they've not believed in?

How are they to believe in Him they never heard?

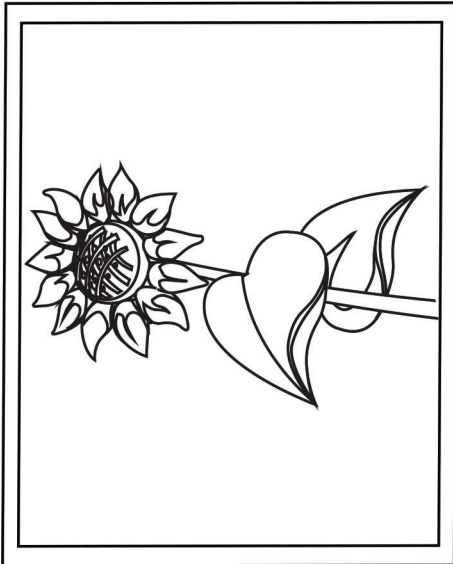
How are they to hear without someone preaching?

How are they to preach unless they are sent?

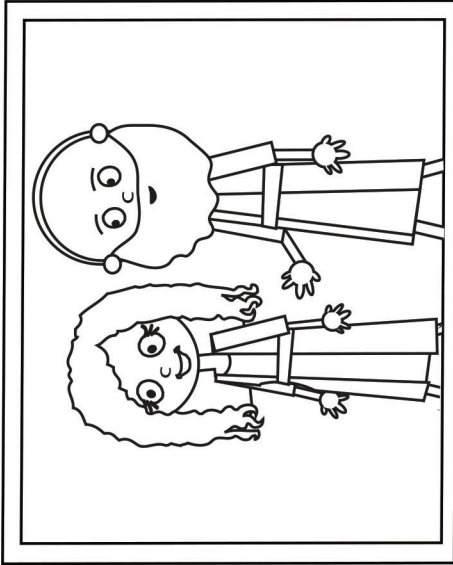
Well, it all goes back to those feet! *Refrain*

Romans Ten, thirteen through fifteen.

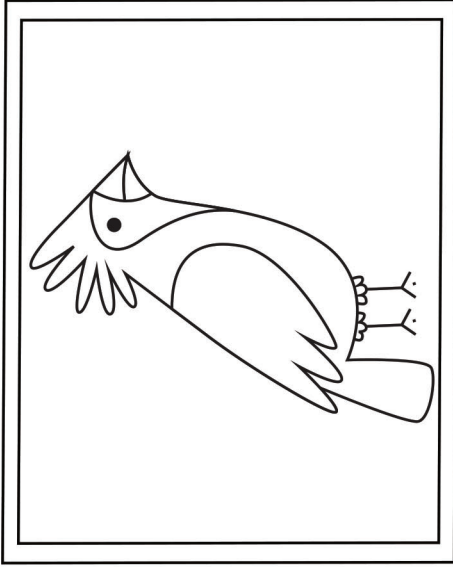
Which four of these clues belong in our story? Which two do not? Put an X in the boxes of the four that belong.



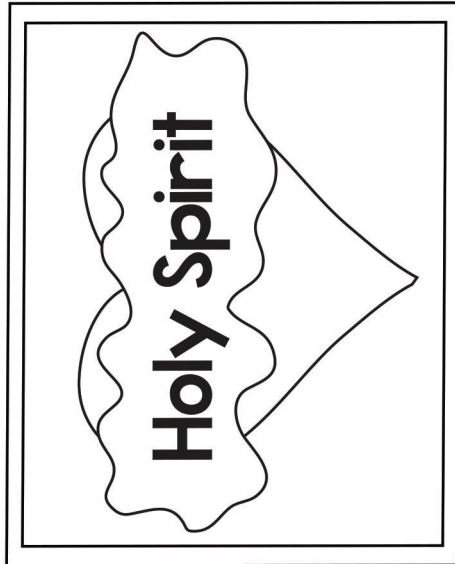
A Sunflower



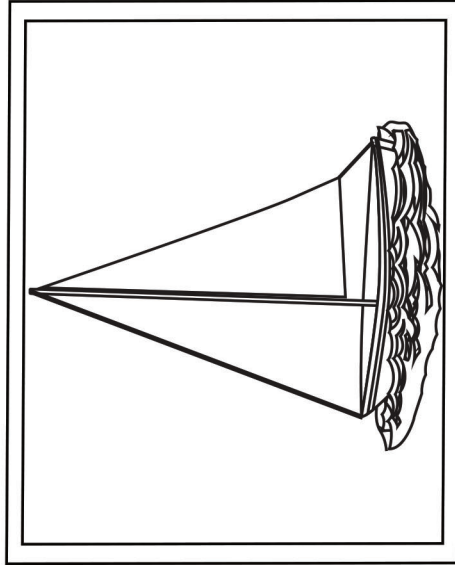
Jesus' Followers



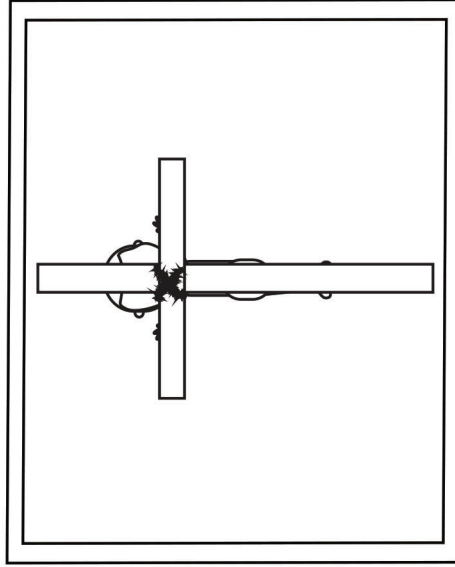
A Bird



The Holy Spirit in a Heart



A Boat



A Cross

Answer: Jesus' followers, the Holy Spirit in a heart; the boat and the cross belong. The sunflower and the bird do not.

## Deep Down Detective Devotion: Unit 12, Bible Truth 7, Lesson 3



**Big Question 12:** How Should God's People Live?

**Answer:** They Should Live Like Jesus... By Telling the Good News of Jesus!

### Bible Truth 7 Meaning

After Jesus died on the cross and rose from the dead, He told His disciples to go tell the good news of salvation to the whole world. Jesus wanted people everywhere know how they could become God's people. He wanted them to know that they could know God in their hearts, now. And after they died, they could go and live with God forever. These wonderful gifts would be theirs when they turned away from their sins and trusted in Jesus as their Savior. What good news this was! Jesus' disciples obeyed Him. They traveled farther and farther away from their homes, sharing the good news of Jesus to all who would listen. Many people rejoiced in this good news. They turned away from their sins and trusted in Jesus as their Savior. God's people were growing in number! Even today, God still wants His people to keep on sharing this good news to all who will listen. He wants them to share this good news with people who live next door, and with people who live in faraway places. God wants His people to keep on telling about Jesus until the whole world has heard the good news. How do God's people carry out this big, wonderful job? With the help of God's Holy Spirit! God promises that His Holy Spirit will be at work inside His people. He will help them know what to say and give them the courage to say it. Best of all, God promises to send His Holy Spirit to work in the hearts of those who listen, helping them trust in Jesus and be saved. We can be God's people, too, when we turn away from our sins and trust in Jesus as our Savior.

### How do I know this is true? The Bible tells me so!

"Everyone who calls on the name of the Lord will be saved." How then will they call on him in whom they have not believed? And how are they to believe in him of whom they have never heard? And how are they to hear without someone preaching? And how are they to preach unless they are sent? As it is written, "How beautiful are the feet of those who preach the good news!" -- Romans 10:13-15, ESV

### Some Questions for You

1. What did Jesus tell His disciples to do, before He went up to heaven? *He told them to be His witnesses to the whole world.*
2. What was the message that Jesus' disciples told people? *Jesus is God's Son, sent to save us. He died on the cross for the sins of God's people. He rose from the dead, showing He beat sin and death. He calls us to turn away from disobeying God and trust in Him as our Savior. When we do, we become God's dearly loved people who will love Him and know Him forever and ever.*
3. Where did Jesus' disciples go to tell this message? *They went to the people in their city and they went to people in other places, even other places that were very far away.*
4. What do God's people today still need to do? *They need to keep on telling others about Jesus. There are still so many who need to hear.*
5. How can we become God's people? *By turning away from disobeying God and trusting in Jesus as our Savior.*

### Let's Pray!

- A** God, we praise You for being the God who saves. You made the way for sinful people like us to become Your people. How loving and merciful You are!
- C** God, please forgive us for not telling others about You as You want us to. Forgive us for being scared that others might not want to hear about Jesus or make fun of us. Forgive for not trusting You to be at work as we share the good news about salvation through Him. We need a Savior!
- T** Thank You, God, for offering to make us Your people through Jesus. Thank You for giving us the wonderful, good news of salvation through Him.
- S** God, please work in our hearts. Help us turn away from our sins and trust in Jesus as our Savior. Help us to tell others how they can receive the free gift of salvation through Him, too. Work inside others as they hear about Jesus and help them believe in Him, too. In Jesus' name we pray, Amen.

### Let's Praise God Right Now!

Go to the *Deep Down Detectives Parent Resources for Unit 12* to get the Bible story and many more resources and songs for this unit at [praisefactory.org](http://praisefactory.org)

### Big Q & A 12 Hymn: Trust and Obey, v.1

from *Deep Down Detectives ESV Songs 12, track 16*

#### Verse 1

When we walk with the Lord,  
In the light of His Word,  
What a glory He sheds on our way!  
While we do His good will;  
He abides with us still,  
And with all who will trust and obey.

#### Refrain

Trust and obey,  
For there's no other way,  
To be happy in Jesus,  
But to trust and obey.

Words: John H. Sammis Music: Daniel B. Townner

### Big Question 12 Praise Song:

#### I Have Decided to Follow Jesus

from *Deep Down Detectives ESV Songs 12, track 17*

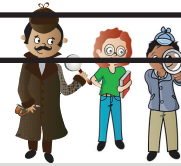
I have decided to follow Jesus,  
I have decided to follow Jesus,  
I have decided to follow Jesus,  
No turning back, no turning back.

**Bible Story for Big Question 12, Bible Truth 7**

P.1

**The Case of the Beautiful, Busy Feet**

Acts



Dear Parents,

**Big Question #12 is: "How Should God's People Live?"** Your child is learning that "They Should Live Like Jesus...By Telling the Good News of Jesus!"

Here's a copy of the Bible story they are learning along with the "Listening Assignment" for each lesson. These assignments provide a different teaching emphasis for each lesson, helping the children dig deeper into each Bible truth. They match up with your child's take home for each lesson. We hope that these resources help your family to dig down deeper into the truths of God's Word!" Happy digging!

\*many more resources for this Big Question came be found online at [www.praisefactory.org](http://www.praisefactory.org)\*

**Listening Assignments**

**"Hey, Kids! Detective Dan, here. Listen carefully to the story and help me answer these questions:**

**Detective Dan's Lesson #1 Listening Assignment:**

I need to know:

- 1. Who had beautiful, busy feet?**
- 2. What made the feet beautiful? What were they busy doing?**

**Detective Dan's Lesson #2 Listening Assignment:****Our Bible Verse is Romans 10:13-15, ESV**

"Everyone who calls on the name of the Lord will be saved." How then will they call on him in whom they have not believed? And how are they to believe in him of whom they have never heard? And how are they to hear without someone preaching? And how are they to preach unless they are sent? As it is written, "How beautiful are the feet of those who preach the good news!"

I need to know:

- 1. What message about Jesus did Jesus' followers tell everyone?**
- 2. Why were their feet so busy traveling to faraway places to tell everyone this message?**

**Detective Dan's Lesson #3 Listening Assignment:**I found six clues, but two of them are **NOT** in the story.

They are: a sunflower, Jesus' followers, a bird, God's Holy Spirit in a heart, a boat, and a cross. *Hold each of them up for the children to see as you identify them.*

I need to know:

- 1. Which four belong in the story and which two don't?**
- 2. What did Jesus's followers ask the Holy Spirit to do in the hearts of those who listened to their good news? How did God answer those prayers?**

**Read the assignment questions, THEN SAY,**

"Ok, Deep Down Detectives! Put on your best listening ears and see if you can hear the answers to Detective Dan's questions. When I finish telling the story, we will see if we can answer all the questions."

*Read the Bible Truth story, answer questions, present the gospel and lead in prayer.*

*Answers to questions; the gospel; and, ACTS prayer are included with the story text.*

**The Case of the Beautiful, Busy Feet** *Acts**Story with lines separating paragraphs (text in bold, optional interaction cues in italics)*

**Jesus and His disciples stood together on the Mount of Olives, a hill near the city of Jerusalem. This would be the last time they would be together on earth.**

**Jesus had died on the cross and was buried in a grave. Then, on Day Three, He rose from the dead and appeared to His disciples. For the next forty days, Jesus taught them about God's good plans from the Bible. How wonderful it had been to have Jesus with them again!**

**But now, those days were over. It was time for Jesus to go to heaven and rule. Before He went, Jesus told his disciples about the job He had for them. "Be My witnesses," Jesus told them. "Tell everyone what I've done. Tell them how they can become God's people. Teach them everything I've taught you. Make them My disciples," Jesus said. "Start right here in Jerusalem, but don't stop there! This good news is for the whole world," Jesus told them.**

**"Go through all of Judea, this land you live in. Tell everyone the good news. But don't stop there! Go to Samaria, to your enemies who live in the land next to you. Tell them the good news, but don't stop there, either!" Jesus said, "Keep on going and telling, to the very ends of the earth. Every people, in every part of the world, need to hear this wonderful, good news of salvation through faith in Me!"**

**Wow! Jesus was giving His disciples a big job! Could they really do all of this? Tell the WHOLE WORLD?**

*What do you think?*

**Wow! Jesus was giving His disciples a big job! Could they really do all of this? Tell the WHOLE WORLD? Well... no, they couldn't. Not on their own. But yes, they could, because God was going to give them a powerful Helper. "I will ask the Father and He will send the Holy Spirit to live in your hearts," Jesus told them. "HE will give you the wisdom and power you need to tell the whole world," Jesus told them. "And, when this wonderful, good news of salvation has reached all peoples, in all places, I will come back," Jesus promised. When Jesus finished saying all these things, He went up through the clouds to heaven.**

**The disciples were sad for Jesus to leave them, but they were happy about His promises. How exciting! The Holy Spirit would live inside their hearts! They would get to tell everyone the good news about Jesus. And one day, when their job was finished, Jesus would come back! Yes, this was all very, very exciting!**

**But what should they do first? Where should they go? Jesus told them. What did He say?**

*Can you remember?*

**"Start in Jerusalem. Wait there for the gift of the Holy Spirit!" Jesus told them; so, that's just where they went and just what they did!**

**In Jerusalem, they waited and prayed until God's Holy Spirit came to live inside them, just as Jesus promised. The disciples burst out into the streets of Jerusalem, and helped by the Holy Spirit, they spread the good news of Jesus: "Turn away from disobeying God! Trust in Jesus as your Savior!" they told all who would listen. "God will forgive your sins and make you, His people. You can know and love God in your hearts, right now. And when you die, you can live with Him and enjoy Him forever," they promised. "Believe this wonderful, good news today!" they urged everyone.**



**Bible Story for Big Question 12, Bible Truth 7**

*Story with lines separating paragraphs (text in bold, optional interaction cues in italics)*

**The Holy Spirit began to work in the hearts of many that day. And guess what happened next?**

*Can you guess?*

**They turned away from their sins and trusted in Jesus as their Savior. Yay!**

**Thousands of new believers joined Jesus' first disciples. They gathered together as a church to pray and learn from God's Word. They encouraged each other to love God and love one another like sisters and brothers. And, they encouraged each other to do the job Jesus gave them. Can you remember what that job was?**

*Can you remember?*

**"Be My witnesses! Tell the whole world about Me!" Jesus had told them. Now, it was time to do it!**

**Some stayed in Jerusalem. They kept on telling others the good news of Jesus there. But many others left Jerusalem. Jesus told them to go to the whole world, so that's what they did.**

**Some went to the little towns of their homeland, Judea. And what did they remember as they moved? Jesus' last words: "Be My witnesses! Tell the whole world the wonderful, good news of salvation through faith in Me."**

**And so, they did. "Turn away from disobeying God and trust in Jesus as your Savior," they told people in Judea. "God will forgive your sins and make you, His people. You can know and love God in your hearts, right now. And when you die, you will live with Him and enjoy Him forever. Believe this wonderful, good news today!" they urged the people in Judea.**

**Many heard this wonderful, good news and believed! Now, they were God's people, brothers and sisters through Jesus!**

**Some of Jesus' followers left Judea and went even farther away. Some, like Philip, went to Samaria, the nearby land of their enemies. And what did Philip and the others remember as they went? Jesus' last words. Can you remember them?**

*Can you?*

**"Be My witnesses! Tell the whole world the wonderful, good news of salvation through faith in Me!" Jesus had told them.**

**So, that's what Philip and others did: "Turn away from disobeying God and trust in Jesus as your Savior," they told their enemies in Samaria. "God will forgive your sins and make you, His people. You can know and love God in your hearts, right now. And when you die, you will live with Him and enjoy Him forever. Believe this wonderful, good news today!" they urged.**

**Many of these enemies heard and believed! They weren't enemies, anymore! Now, they were God's people, brothers and sisters through Jesus!**

*Story with lines separating paragraphs (text in bold, optional interaction cues in italics)*

**Others, like Paul and Barnabas, went even farther away. They sailed on ships over the wavy seas to islands. They walked miles and miles to other faraway places. Over tall mountains, down deep valleys, along the seashore, they travelled. Wherever people were, they went. And what did they remember as they went to all these places? Jesus' last words. Can you remember them?**

*Can you?*

**"Be My witnesses! Tell the whole world the wonderful, good news of salvation through faith in Me!" Jesus had told them.**

**So, that's what Paul and Barnabas did: "Turn away from disobeying God and trust in Jesus as your Savior," they told the peoples in those faraway places. "God will forgive your sins and make you, His people. You can know and love God in your hearts, right now. And when you die, you will live with Him and enjoy Him forever. Believe this wonderful, good news today!" they urged.**

**Many in these faraway places heard this wonderful, good news and believed! Now, they were God's people, brothers and sisters through Jesus!**

**Many years have passed since Jesus told His disciples to tell the world how He can be their Savior. And all this time, as His disciples have kept on spreading the good news, the Holy Spirit has been at work in the hearts of people. Now, millions, even billions, of people have become God's people, brothers and sisters through Jesus. But did you know the job is STILL not finished?**

**But did you know the job is STILL not finished? There are still so many people who need to hear the good news of Jesus. Million, even billions, of people. Who will tell THEM about Him? Can you guess?**

*Can you guess?*

**God's people, living today, that's who! Jesus wants His disciples to keep on telling everyone, all over this world, how He can become their Savior. People who live near them need to hear. People who live far away from them need to hear. And everyone who lives in between needs to hear, too! They ALL need to hear the wonderful, good news of Jesus, that they might turn away from disobeying God, trust Jesus as their Savior, and be saved!**

**And who will help God's people finish this big job? The same Person who helped those believers, long ago. Can you remember who?**

*Can you remember His name?*

**God's Holy Spirit, that's who! He is living in their hearts, helping God's people do the job Jesus gave them. He's at work in those who hear the good news of Jesus, too, helping them turn away from their sins and trust in Jesus as their Savior.**

**On and on, God's people will remember Jesus' last words to them. What are they again?**

*Can you remember them?*

**"Be My witnesses! Tell the whole world the wonderful, good news of salvation through faith in Me!" Jesus had told them.**

**Yes, they will keep on doing the job God gave them, until all of God's people are saved, millions and billions, even trillions of people. More people than we can count. Wow! And THEN, at last, it will be time for Jesus to come back. He will take His people to live with Him in the new heaven and earth forever. What a great day that will be! It will be Perfect Wonderfulness!**

**Cracking the Case:** (story wrap-up for Listening Assignments)

It's time to see how we did with our Listening Assignment.

**Detective Dan's Lesson 1 Listening Assignment:**

**1. Who had beautiful, busy feet?** God's people.  
**2. What made the feet beautiful? What were they busy doing?** They were using their feet to travel to faraway places to tell others about Jesus. People turned away from their sins and trusted in Jesus as their Savior. They became God's people, too. They were so grateful that someone would walk so far just so they could hear about Jesus. That's why they called the feet of these messengers beautiful!

**For You and Me:**

Jesus' first followers were busy going into the world, telling everyone about Jesus. They wanted everyone to turn away from their sins and trust in Jesus as their Savior. They wanted them all to be God's people forever. Jesus still sends out His followers so that many more people might trust in Him as their Savior. Why, your teachers, even today, are telling you this good news, so that YOU might turn away from your sins and trust in Jesus as your Savior. They want you to be God's people too. I guess that means they have beautiful feet!

**Detective Dan's Lesson 2 Listening Assignment:**  
**Our Bible Verse is Romans 10:13-15, ESV**

"Everyone who calls on the name of the Lord will be saved." How then will they call on him in whom they have not believed? And how are they to believe in him of whom they have never heard? And how are they to hear without someone preaching? And how are they to preach unless they are sent? As it is written, "How beautiful are the feet of those who preach the good news!"

**I need to find out:**

**1. What message about Jesus did Jesus' followers tell everyone?** That they could become God's people when they turned away from their sins and trusted in Jesus as their Savior.  
**2. Why were their feet so busy traveling to faraway places to tell everyone this message?** Only by going to these faraway places would the people who lived there hear about Jesus, turn away from their sins, and be saved. This was the only way they could get to become God's people.

**For You and Me:**

Jesus' first followers were busy going into the world, telling everyone about Jesus. They wanted everyone to turn away from their sins and trust in Jesus as their Savior. They wanted them to be God's people forever. Jesus still sends out his followers today. He still wants people to trust in Him as their Savior. Why, your teachers, even today, are telling you this good news so that YOU might turn away from your sins and trust in Jesus as your Savior. They want you to be God's people too. I guess that means they have beautiful feet, too!

**Detective Dan's Lesson 3 Listening Assignment:**

Our six clues were: a sunflower, Jesus' followers, a bird, God's Holy Spirit in a heart, a boat, and a cross.

**1. Which four belong in our story?**

Jesus' followers, God's Holy Spirit in a heart, the boat and the cross belong. The sunflower and the bird do not.

**2. What did Jesus's followers ask the Holy Spirit to do in the hearts of those who listened to their good news? How did God answer those prayers?** They asked the Holy Spirit to help people turn away from their sins and trust in Jesus as their Savior. The Holy Spirit DID work in the hearts of many and they were saved!

**For You and Me:**

The Holy Spirit worked in the hearts of many who heard the good news of Jesus, long ago. He can work in our hearts, too. He can help us turn away from our sins and trust in Jesus as our Savior. Ask Him to help you today! He loves to answer this prayer!

**The Gospel** (story wrap-up if NOT using Listening Assignments)**Our Bible Truth is:**

**Can You Tell Me What the LORD Is Like?**

**They Should Live Like Jesus...**

**By Telling the Good News of Jesus!**

How should God's people live each day? They should live like Jesus... by telling others the good news of Jesus. God's people know how important it is to tell others the good news of Jesus. After all, someone told them! That's how they knew that they should turn away from disobeying God and trust in Jesus as their Savior. They want to tell others this same good news so that they might be saved, too. Why, that's the reason I'm telling the good news of Jesus to you right now! So YOU, too, might turn away from disobeying God and trust in Jesus as your own Savior. I want you to know special closeness with God, too! There is nothing better in life than knowing Him! *Close in prayer.*

**Closing ACTS Prayer**

- A** God, we praise You for being the God who saves. You made the way for sinful people like us to become Your people. How loving and merciful You are!
- C** God, please forgive us for not telling others about You as You want us to. Forgive us for being scared that others might not want to hear about Jesus or make fun of us. Forgive for not trusting You to be at work as we share the good news about salvation through Him. We need a Savior!
- T** Thank You, God, for offering to make us Your people through Jesus. Thank You for giving us the wonderful, good news of salvation through Him.
- S** God, please work in our hearts. Help us turn away from our sins and trust in Jesus as our Savior. Help us to tell others how they can receive the free gift of salvation through Him, too. Work inside others as they hear about Jesus and help them believe in Him, too.

In Jesus' name we pray, Amen.

**Big Question 12, Bible Truth 7 Overview: Key Concepts**

p.7

**Unit 12: God's People Live for Him**

**Unit Big Question (and Answer):** How Should God's People Live? They Should Live Like Jesus!

**Unit Bible Verse:** "Be imitators of God, as beloved children. And walk in love, as Christ loved us and gave himself up for us." --Ephesians 5:1-2, ESV

**Bible Truth 7 Concept: They Should Live Like Jesus...By Telling the Good News of Jesus!**

After Jesus died on the cross and rose from the dead, He told His disciples to go tell the good news of salvation to the whole world. Jesus wanted people everywhere know how they could become God's people. He wanted them to know that they could know God in their hearts, now. And after they died, they could go and live with God forever. These wonderful gifts would be theirs when they turned away from their sins and trusted in Jesus as their Savior. What good news this was!

Jesus' disciples obeyed Him. They traveled farther and farther away from their homes, sharing the good news of Jesus to all who would listen. Many people rejoiced in this good news. They turned away from their sins and trusted in Jesus as their Savior. God's people were growing in number!

Even today, God still wants His people to keep on sharing this good news to all who will listen. He wants them to share this good news with people who live next door, and with people who live in faraway places. God wants His people to keep on telling about Jesus until the whole world has heard the good news.

How do God's people carry out this big, wonderful job? With the help of God's Holy Spirit! God promises that His Holy Spirit will be at work inside His people. He will help them know what to say and give them the courage to say it. Best of all, God promises to send His Holy Spirit to work in the hearts of those who listen, helping them trust in Jesus and be saved. We can be God's people, too, when we turn away from our sins and trust in Jesus as our Savior.

**Bible Truth 7 Bible Verse: Romans 10:13-15, ESV**

"Everyone who calls on the name of the Lord will be saved." How then will they call on him in whom they have not believed? And how are they to believe in him of whom they have never heard? And how are they to hear without someone preaching? And how are they to preach unless they are sent? As it is written, "How beautiful are the feet of those who preach the good news!"

**Learn a Little:** "How beautiful are the feet of those who preach the good news!"

**Meaning**

These verses remind us that God sends His people to tell others the good news of salvation through Jesus. They must go, if others are to hear and believe. That is how God has planned to save sinners. What a privilege this is to go and tell others! That is what makes their feet beautiful. Not that they have pretty feet (or cute toes), but that by using their feet to go tell others about Jesus, those others can know God and be saved from their sins.

**Bible Truth 7 ACTS Prayer**

- A** God, we praise You for being the God who saves. You made the way for sinful people like us to become Your people. How loving and merciful You are!
- C** God, please forgive us for not telling others about You as You want us to. Forgive us for being scared that others might not want to hear about Jesus or make fun of us. Forgive for not trusting You to be at work as we share the good news about salvation through Him. We need a Savior!
- T** Thank You, God, for offering to make us Your people through Jesus. Thank You for giving us the wonderful, good news of salvation through Him.
- S** God, please work in our hearts. Help us turn away from our sins and trust in Jesus as our Savior. Help us to tell others how they can receive the free gift of salvation through Him, too. Work inside others as they hear about Jesus and help them believe in Him, too. In Jesus' name we pray, Amen.

---

## **Big Question 12, Bible Truth 7 Overview: Key Concepts**

---

**p.8**

### **Bible Truth 7 Story**

**The Case of the Beautiful, Busy Feet** Acts

### **Songs Used in Bible Truth 7**

Big Q & A 12 Song

Big Question 12 Song: How Should God's People Live?

Big Question 12 Bible Verse Song: Walk in Love Ephesians 5:1-2, ESV

*Extra Big Question 12 Bible Verse Song: Let Everyone Who Names the Name 2 Timothy 2:19,22, ESV*

Big Question 12 Hymn: Trust and Obey, v.1

Big Question 12 Praise Song: I Have Decided to Follow Jesus

Bible Truth 7 Bible Verse Song: How Beautiful Romans 10:13-15, ESV

*Extra Bible Truth 7 Bible Verse Song: Be My Witnesses Acts 1:8, ESV*

*listen to or download songs for free at <https://praisefactory.org>: Deep Down Detectives Music page*